

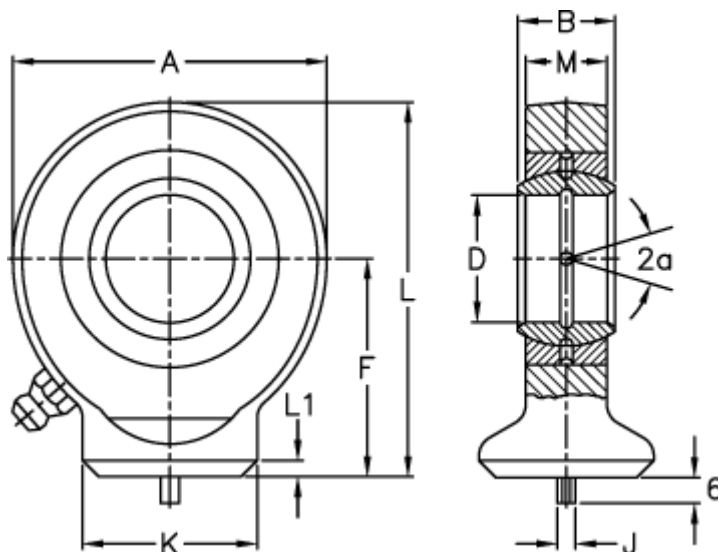
# Data Sheet



Article number: 03555025

Description: Fluro hydraulic rod end FS 25C

## Measures



A	= 64	L	= 77
a (degrees)	= 7	L1	= 4
B	= 20	M	= 17
D	= 25	Static load C0 (kN)	= 72
Dynamic load C (kN)	= 48	Weight	= 450
F	= 45		
J	= 4		
K	= 33.5		